

LONDON 2012 OLYMPIC SAILING COMPETITION ON BOARD CAMERA SPECIFICATIONS UPDATED 26 JULY 2012

As part of the continuing drive to improve and innovate Olympic broadcasting coverage, Olympic Broadcasting Services (OBS) aim to bring the viewer closer than ever before to the action in London 2012.

The following diagrams and photographs indicate the camera positions and bracket systems that have been developed. The High Definition Cameras that will be used are self-contained wireless cameras, which will be received via a dedicated RF network.

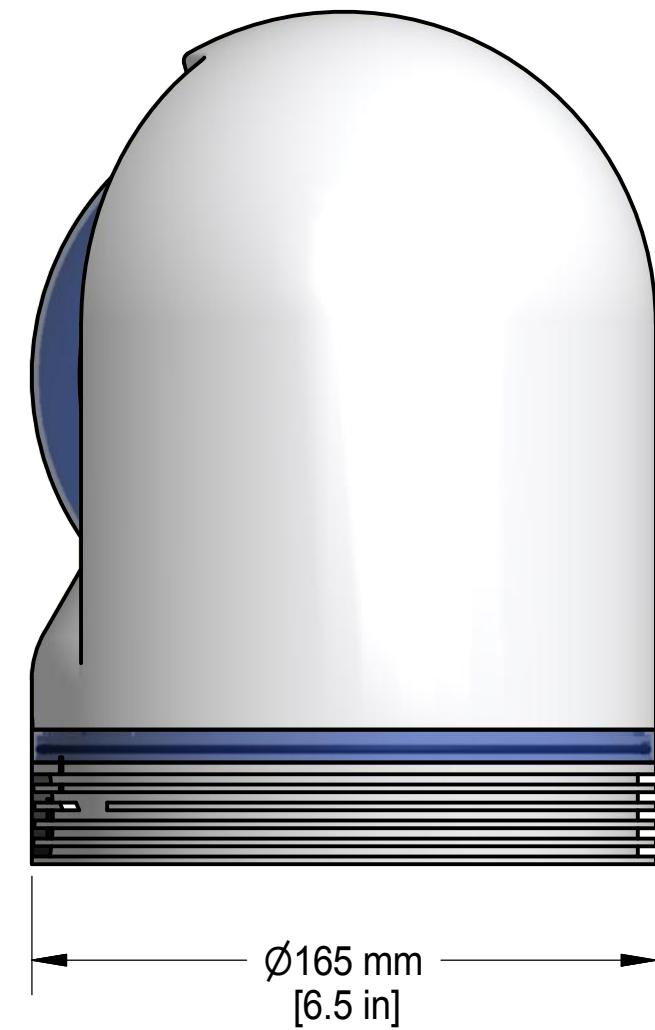
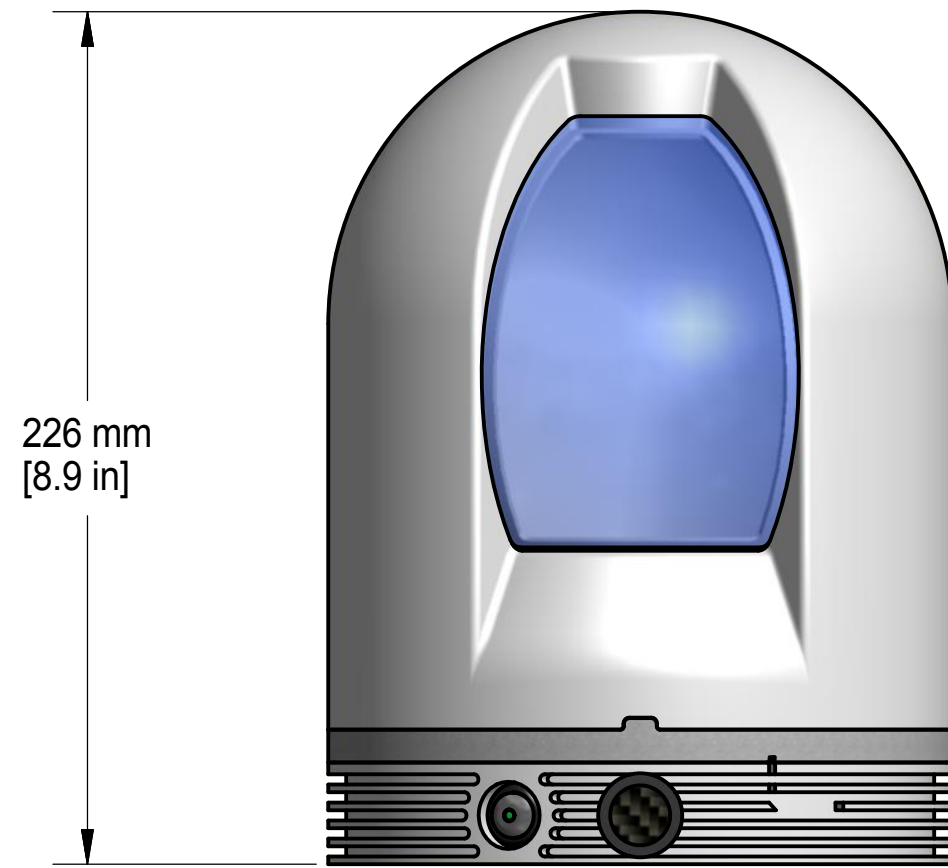
There are two types of cameras: the "PTRZ" will be used on the 49er, 470 Finn, Star and Elliott 6m and the "POV" on the Laser and a forward position on the Elliott 6m.

If boats in a fleet are carrying a live camera, all other boats in that fleet will be required to carry a 'dummy' camera. If a fleet is not scheduled for live broadcast, boats may not be required to carry the camera or dummy.

Index



	Page No.
PTRZ Camera	2
POV Camera	3
49er Mount	4
470 Mount	7
Laser	10
Finn	13
Elliott 6m Mount	16 – revised (photograph)
Star	17 – revised (photograph)

REVISIONS				
ZONE	LTR	DESCRIPTION	DATE	APPROVED
	1	PROTOTYPE	2/1/2012	NKL



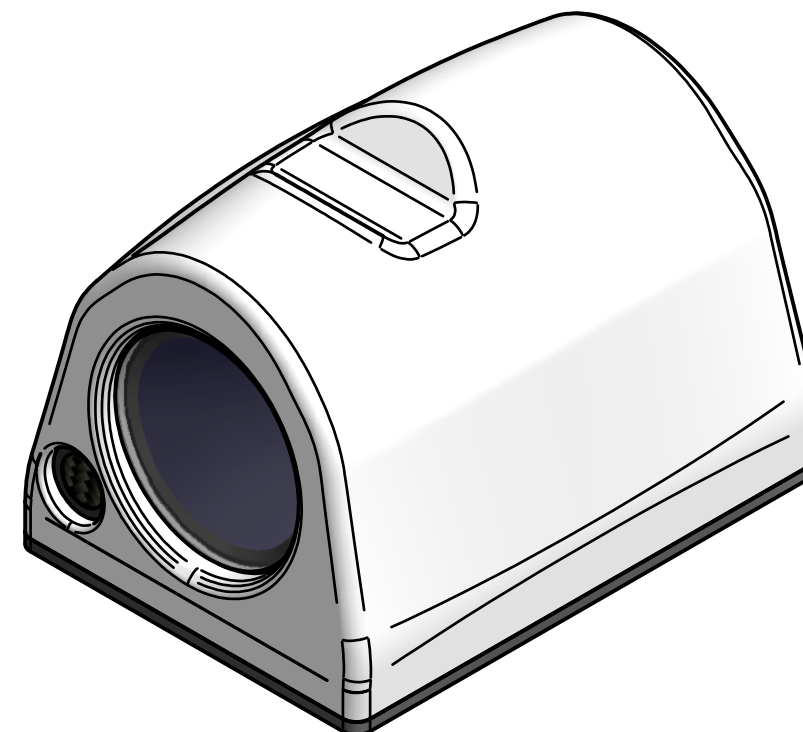
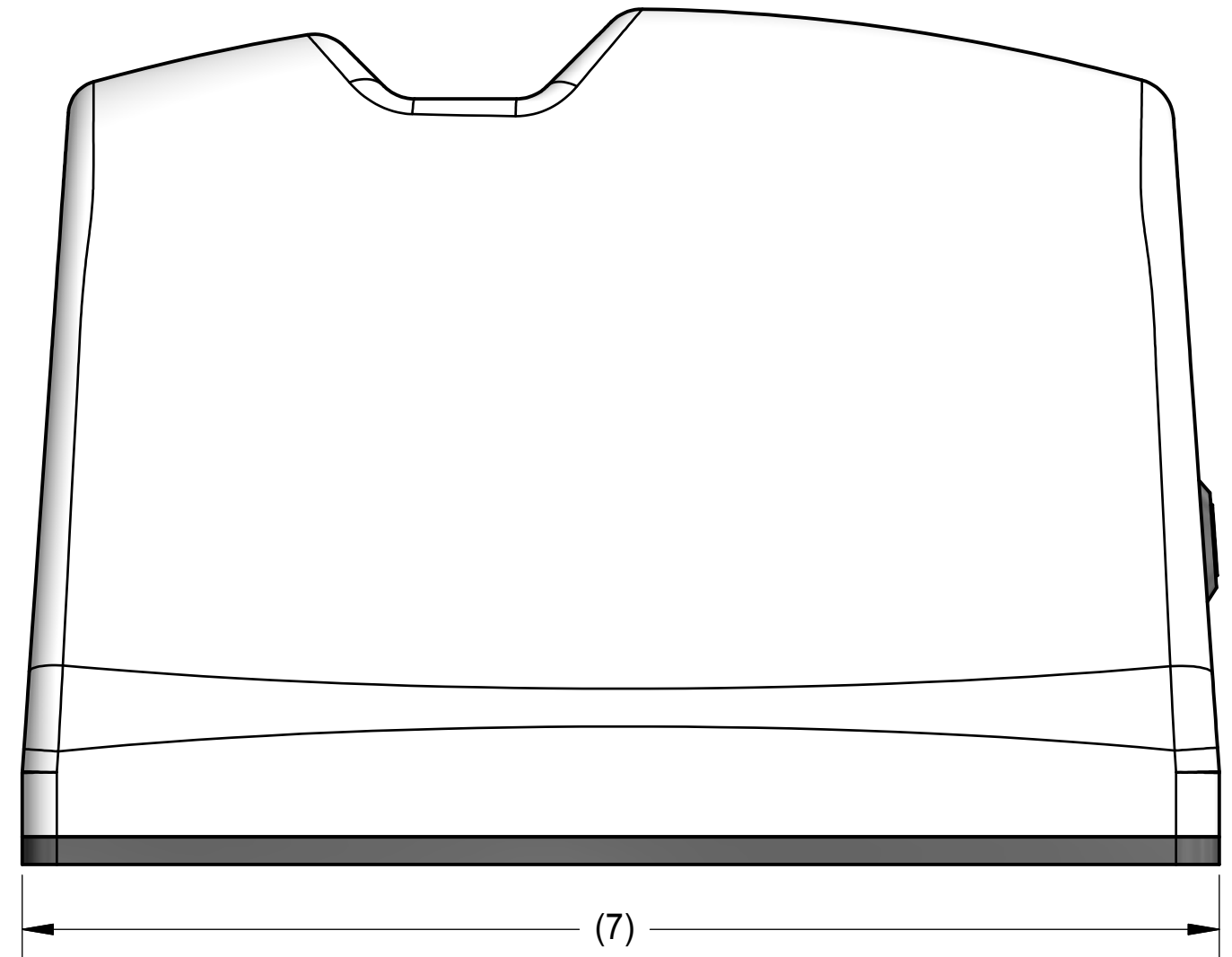
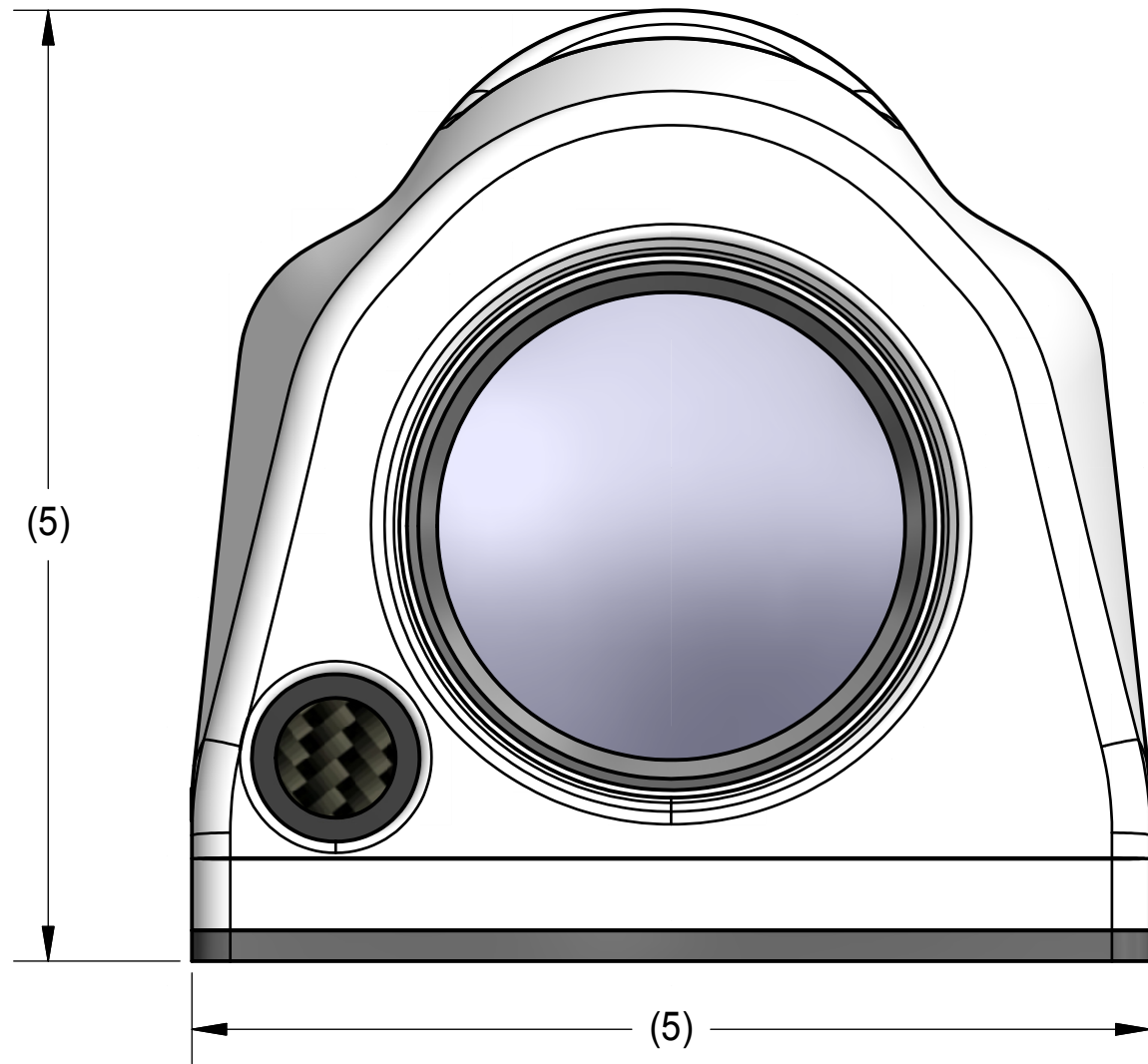
NOTES:

- 1. ESTIMATED WEIGHT: 2010g

DRAWN: 2/1/2012 N. LOWE		 <p>7455 Race Road, Hanover, MD 21076, USA, Phone: (410) 564-2600</p>
CHECKED:		
APPROVED:		
<p>PTRZ CAMERA DATA SHEET</p>		
SIZE B	DRAWING NUMBER 13327-9-004	REV 1
SCALE 1:2	THIRD ANGLE PROJECTION 	SHEET 1 OF 1



THE CONTENTS OF THIS DOCUMENT ARE PROPRIETARY TO BROADCAST SPORTS, INC. AND SHALL NOT BE DISCLOSED, DISSEMINATED, COPIED, OR USED EXCEPT FOR PURPOSES EXPRESSLY AUTHORIZED IN WRITING BY BROADCAST SPORTS, INC.

REVISIONS				
ZONE	LTR	DESCRIPTION	DATE	APPROVED
A		INITIAL RELEASE	1/23/2012	MCS

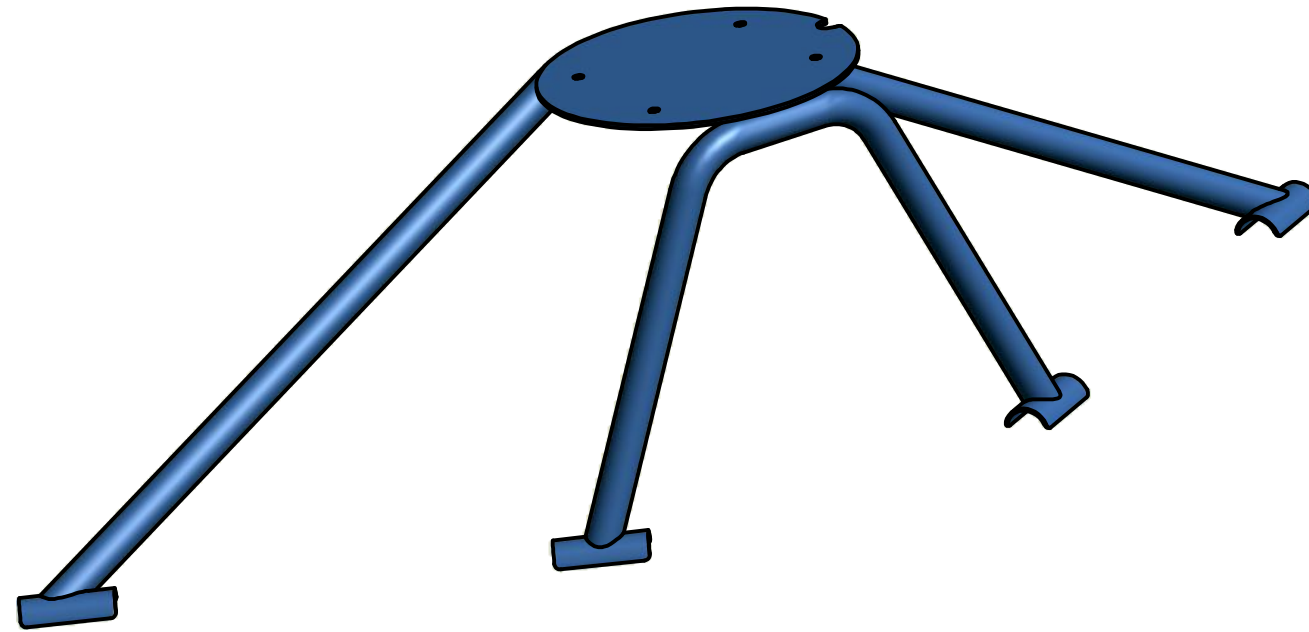


NOTES:

1. WEIGHT: MAX 1.2 Kg.



DRAWN: M. SARTIN	1/17/2012	 7455 Race Road, Hanover, MD 21076, USA, Phone: (410) 564-2600
CHECKED: C. UNDERWOOD	1/23/2012	
APPROVED: M. SARTIN	1/23/2012	
<p>THE CONTENTS OF THIS DOCUMENT ARE PROPRIETARY TO BROADCAST SPORTS, INC. AND SHALL NOT BE DISCLOSED, DISSEMINATED, COPIED, OR USED EXCEPT FOR PURPOSES EXPRESSLY AUTHORIZED IN WRITING BY BROADCAST SPORTS, INC.</p>		<p>OLYMPICS POV MOCK UP</p>
SIZE B	DRAWING NUMBER 13326-9-007	REV A
SCALE N/A	THIRD ANGLE PROJECTION 	SHEET 1 OF 1

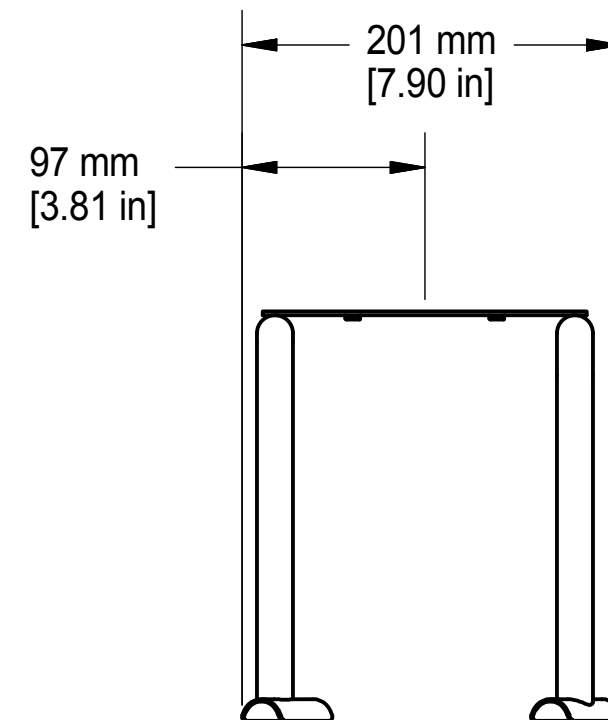
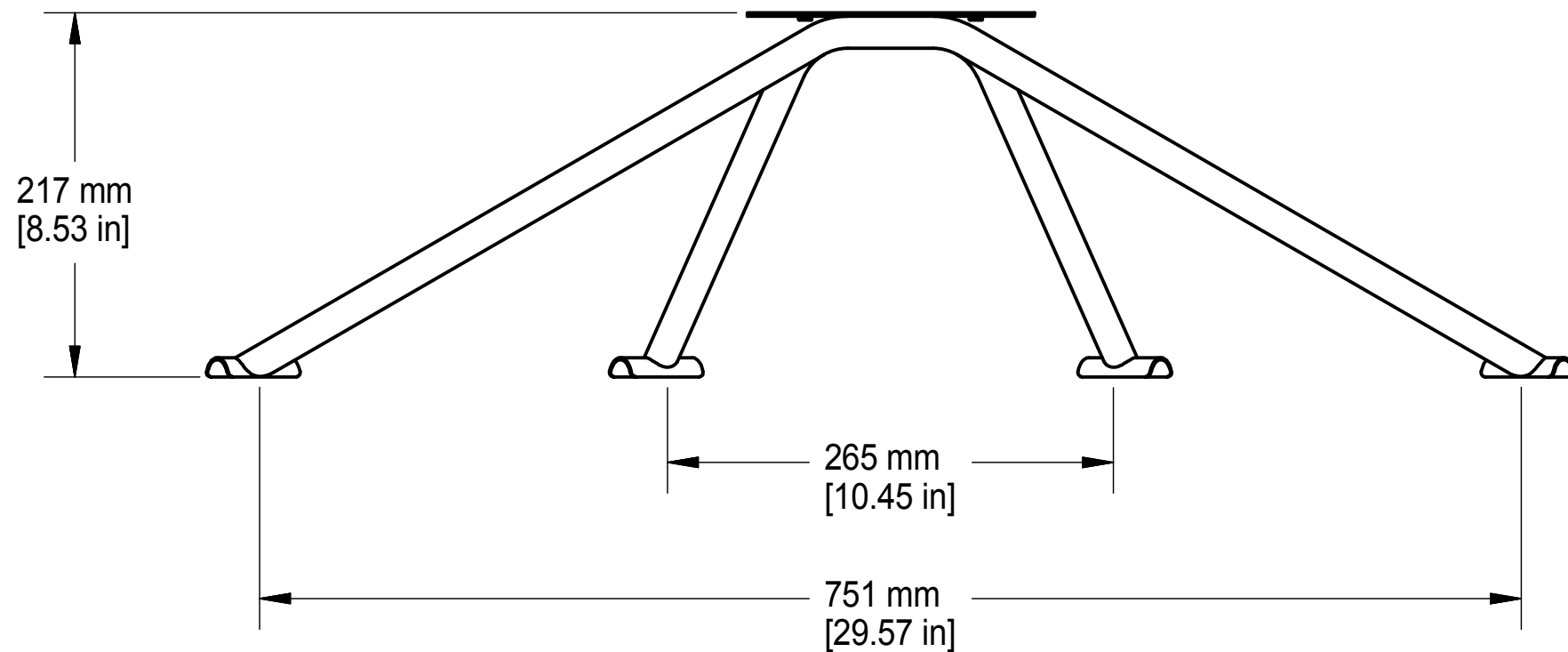
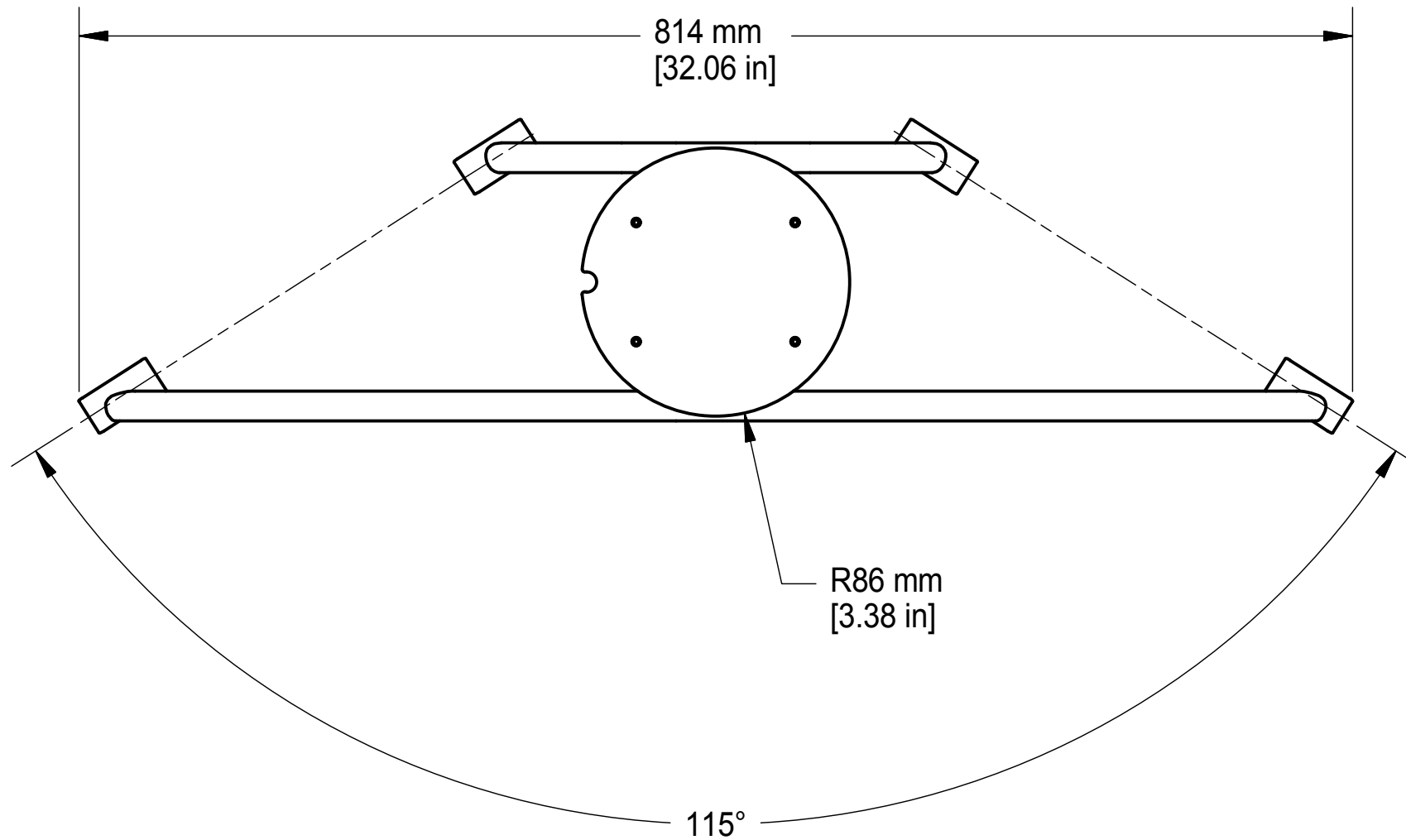
REVISIONS				
ZONE	LTR	DESCRIPTION	DATE	APPROVED
	5	DESIGN UPDATES	4/26/2012	NKL



NOTES:

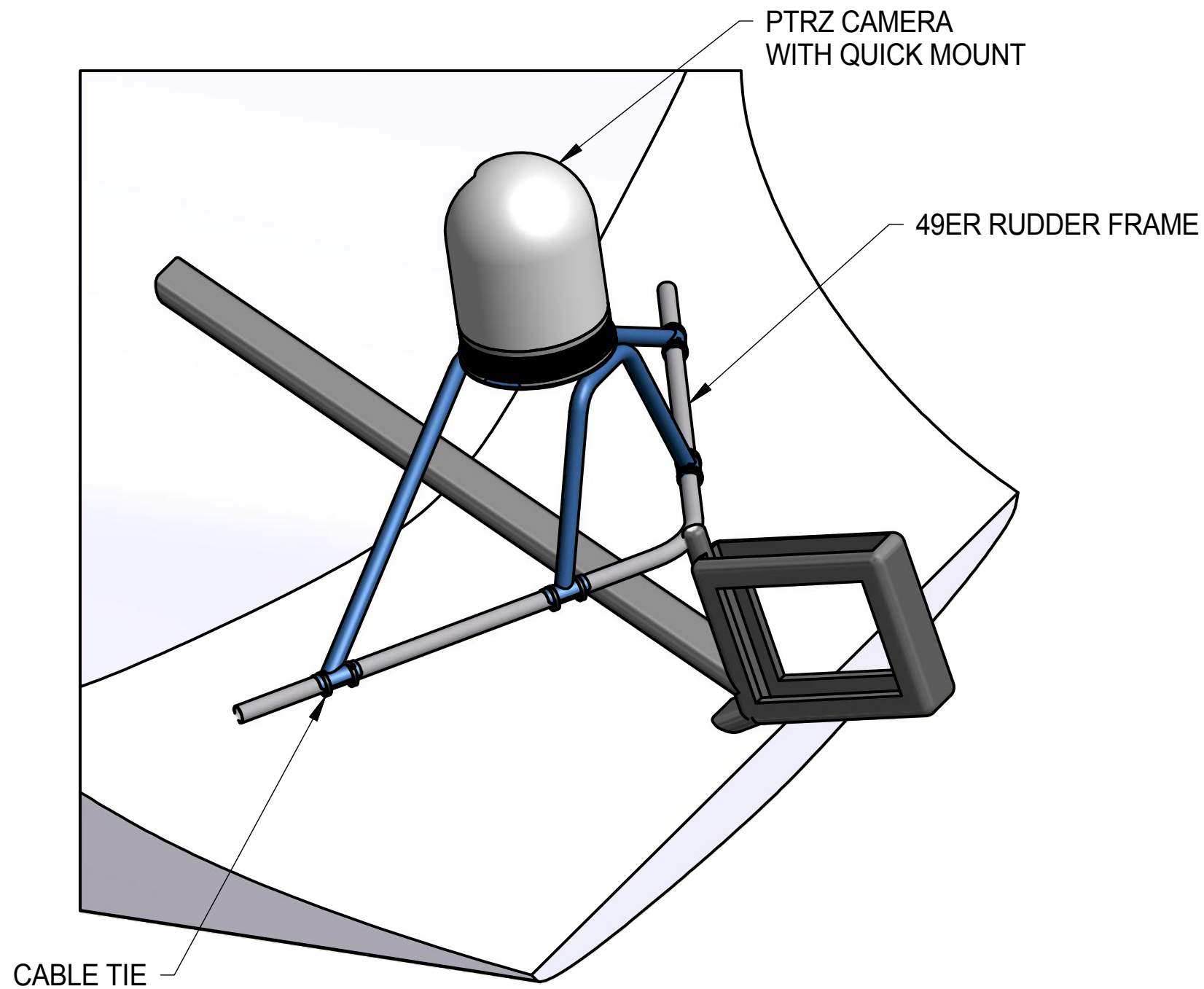
1. MATERIAL: SHEET, .080 THICK, 6061-T6 AL ALY PER ASTM B209; TUBING, SEAMLESS, .75 OD, .049 WALL, 6061-T6 AL ALY PER ASTM B241.
2. FINISH: ANODIZE COATING, WHITE PAINT.
3. AFFIX TO 49ER RUDDER FRAME USING CABLE TIES.
4. ESTIMATED WEIGHT: 550g

DRAWN: 1/18/2012 N. LOWE		 7455 Race Road, Hanover, MD 21076, USA, Phone: (410) 564-2600	
CHECKED:			
APPROVED:			
49ER PTRZ CAMERA MOUNT			
THE CONTENTS OF THIS DOCUMENT ARE PROPRIETARY TO BROADCAST SPORTS, INC. AND SHALL NOT BE DISCLOSED, DISSEMINATED, COPIED, OR USED EXCEPT FOR PURPOSES EXPRESSLY AUTHORIZED IN WRITING BY BROADCAST SPORTS, INC.	SIZE B	DRAWING NUMBER 13327-9-007	REV 5
SCALE 1:4	THIRD ANGLE PROJECTION 	SHEET 1 OF 3	



DIMENSIONS

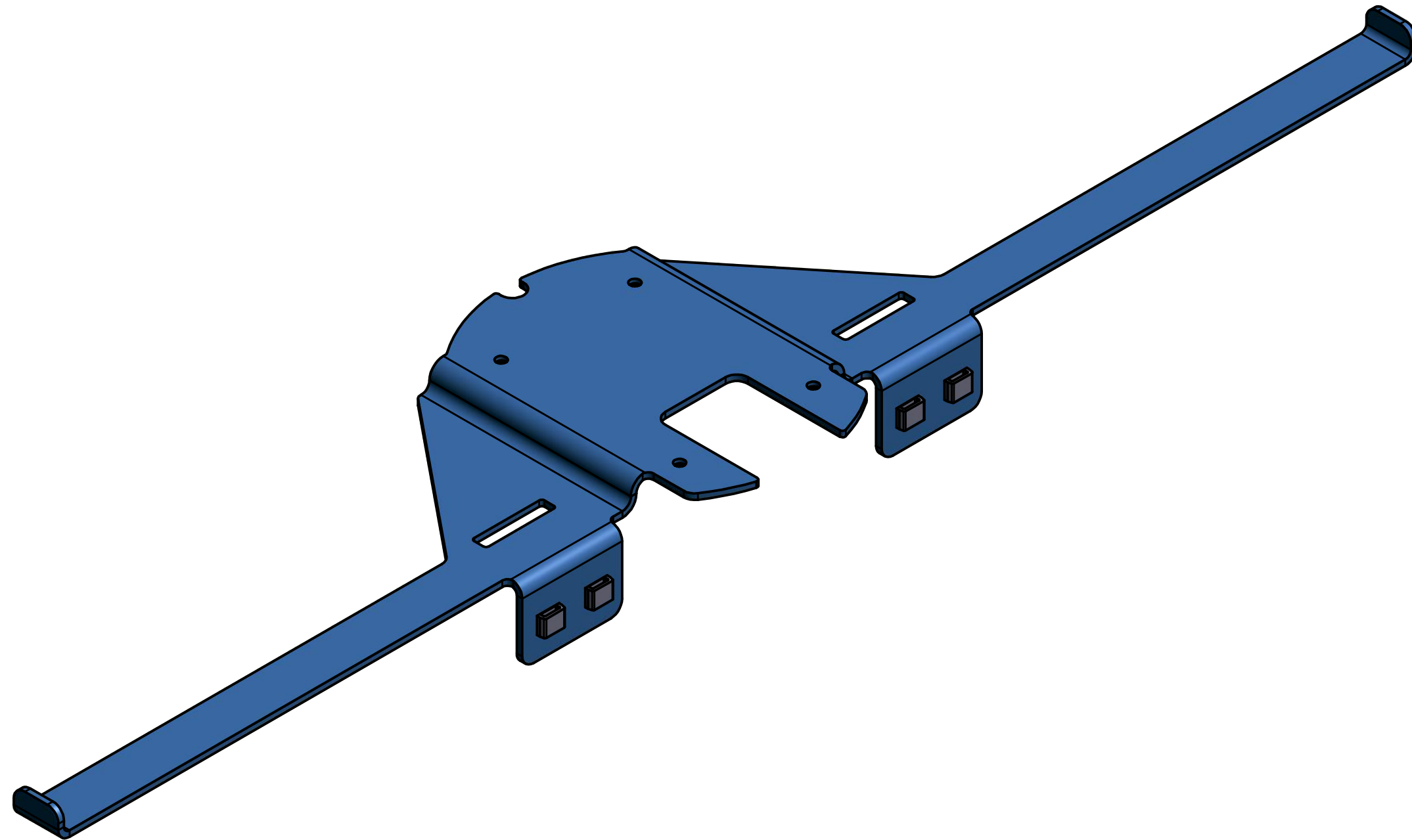
<small>THE CONTENTS OF THIS DOCUMENT ARE PROPRIETARY TO BROADCAST SPORTS, INC. AND SHALL NOT BE DISCLOSED, DISSEMINATED, COPIED, OR USED EXCEPT FOR PURPOSES EXPRESSLY AUTHORIZED IN WRITING BY BROADCAST SPORTS, INC.</small>	SIZE	DRAWING NUMBER	REV
	B	13327-9-007	5
SCALE	1:4	SHEET	2 OF 3



INSTALLATION
SCALE 1:6


<small>THE CONTENTS OF THIS DOCUMENT ARE PROPRIETARY TO BROADCAST SPORTS, INC. AND SHALL NOT BE DISCLOSED, DISSEMINATED, COPIED, OR USED EXCEPT FOR PURPOSES EXPRESSLY AUTHORIZED IN WRITING BY BROADCAST SPORTS, INC.</small>	SIZE	DRAWING NUMBER	REV
	B	13327-9-007	5
SCALE 1:4	SHEET 3 OF 3		

REVISIONS				
ZONE	LTR	DESCRIPTION	DATE	APPROVED
	3	PROTOTYPE UPDATES	5/22/2012	NKL

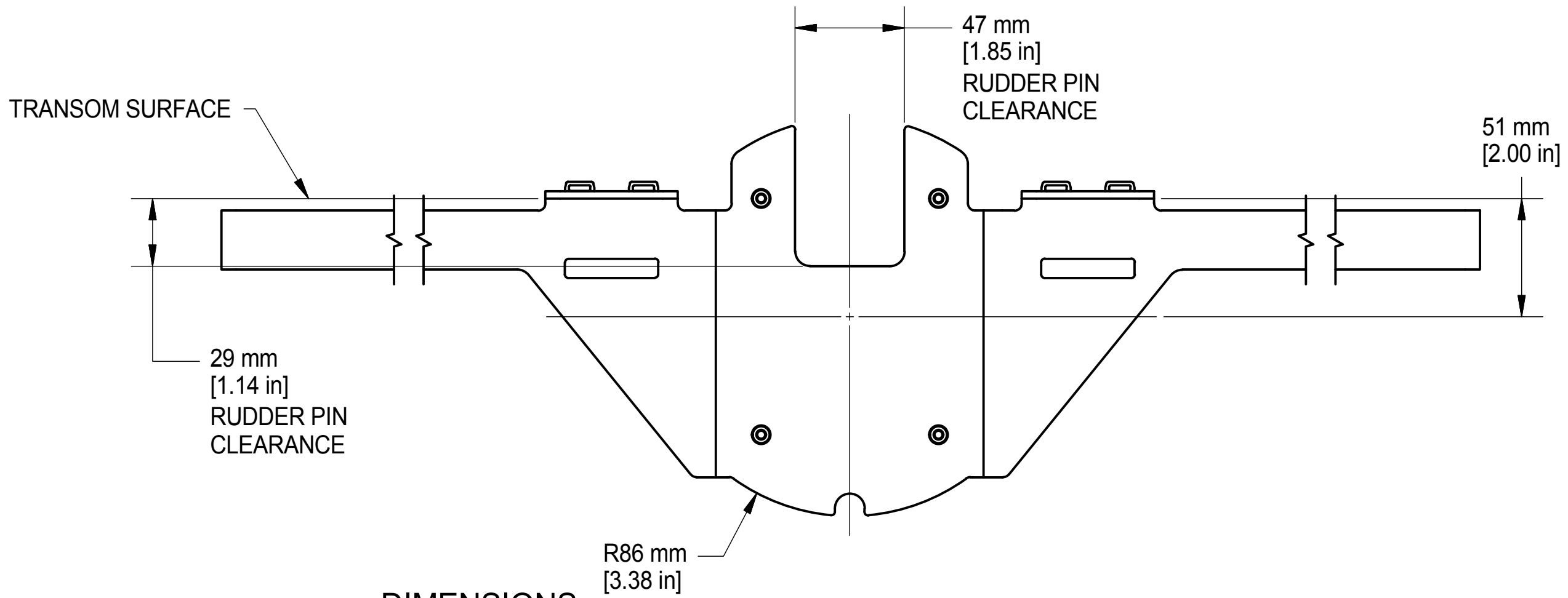
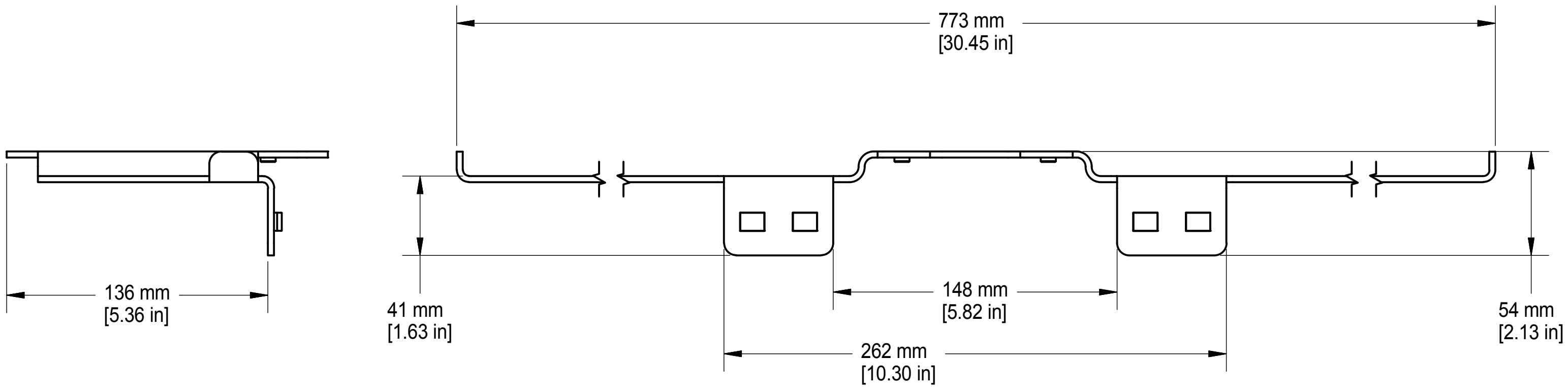


NOTES:

1. MATERIAL: SHEET, .125 THICK, 6061-T6 AL ALY PER ASTM B209; BAR SQUARE, 6061-T6 AL ALY PER ASTM B 221.
2. FINISH: ANODIZE COATING, WHITE PAINT.
3. AFFIX TO 470 TRANSOM USING CABLE TIES, AS SHOWN.
4. ESTIMATED WEIGHT: 500g

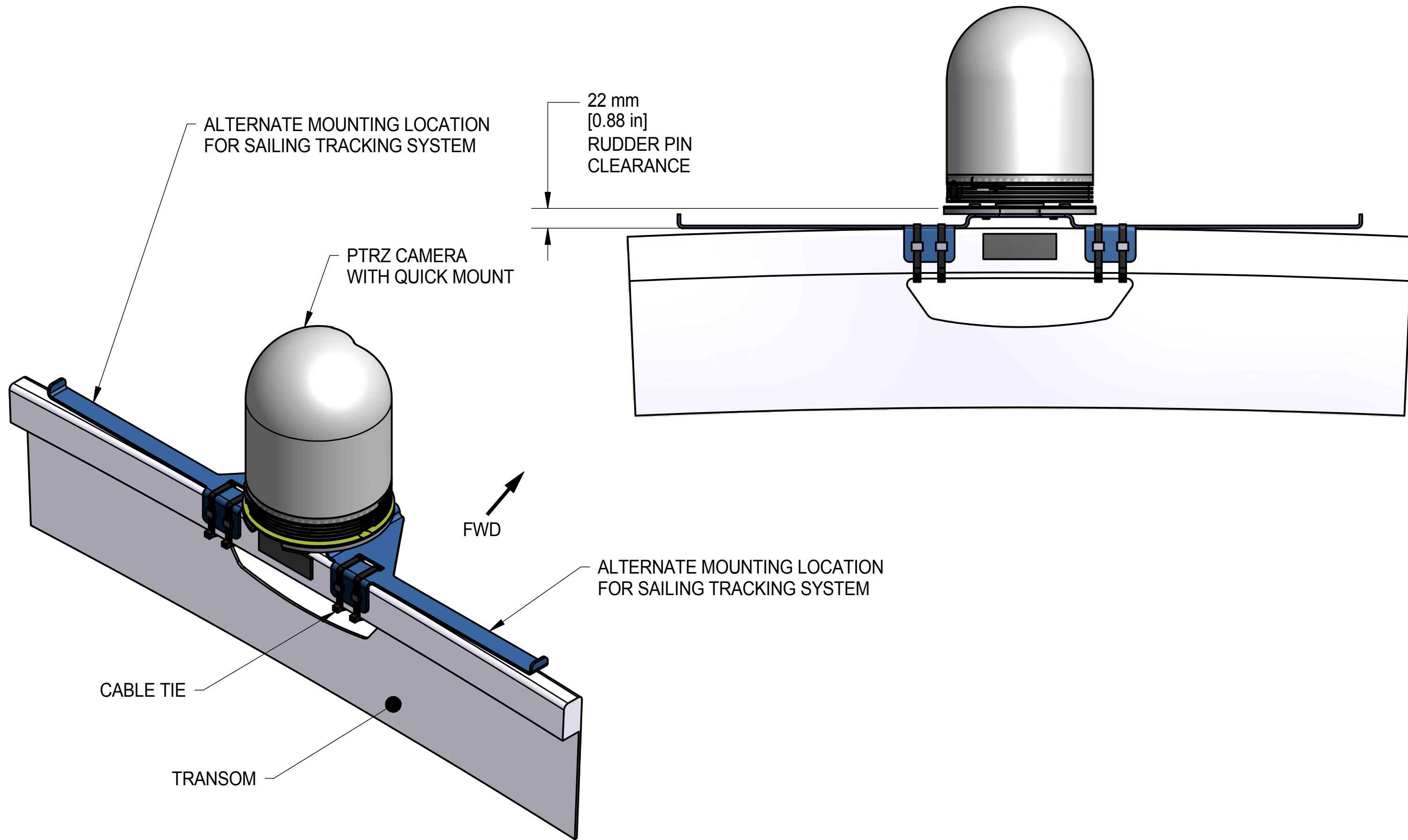
DRAWN: N. LOWE		1/25/2012		 <small>7455 Race Road, Hanover, MD 21076, USA, Phone: (410) 564-2600</small>	
CHECKED:					
APPROVED:					
470 PTRZ CAMERA MOUNT					
SIZE	DRAWING NUMBER			REV	
B	13327-9-006			3	
SCALE	1:2	THIRD ANGLE PROJECTION	SHEET 1 OF 3		

THE CONTENTS OF THIS DOCUMENT ARE PROPRIETARY TO BROADCAST SPORTS, INC. AND SHALL NOT BE DISCLOSED, DISSEMINATED, COPIED, OR USED EXCEPT FOR PURPOSES EXPRESSLY AUTHORIZED IN WRITING BY BROADCAST SPORTS, INC.



DIMENSIONS

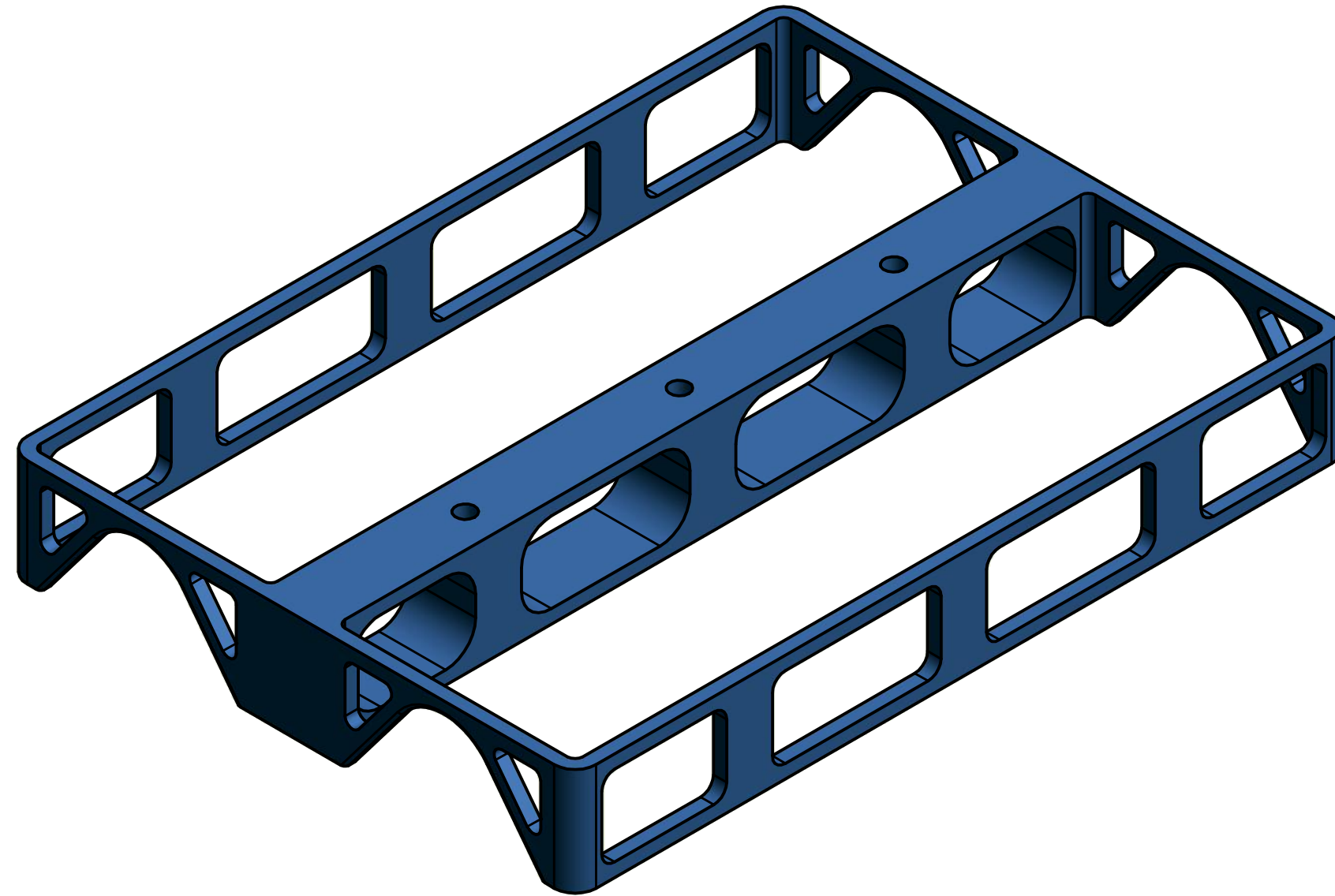
<small>THE CONTENTS OF THIS DOCUMENT ARE PROPRIETARY TO BROADCAST SPORTS, INC. AND SHALL NOT BE DISCLOSED, DISSEMINATED, COPIED, OR USED EXCEPT FOR PURPOSES EXPRESSLY AUTHORIZED IN WRITING BY BROADCAST SPORTS, INC.</small>	SIZE	DRAWING NUMBER	REV
	B	13327-9-006	3
SCALE 1:2		SHEET 2 OF 3	



INSTALLATION
SCALE 1 : 4



<small>THE CONTENTS OF THIS DOCUMENT ARE PROPRIETARY TO BROADCAST SPORTS, INC. AND SHALL NOT BE DISCLOSED, DISSEMINATED, COPIED, OR USED EXCEPT FOR PURPOSES EXPRESSLY AUTHORIZED IN WRITING BY BROADCAST SPORTS, INC.</small>	SIZE	DRAWING NUMBER	REV
	B	13327-9-006	3
SCALE 1 : 2		SHEET 3 OF 3	

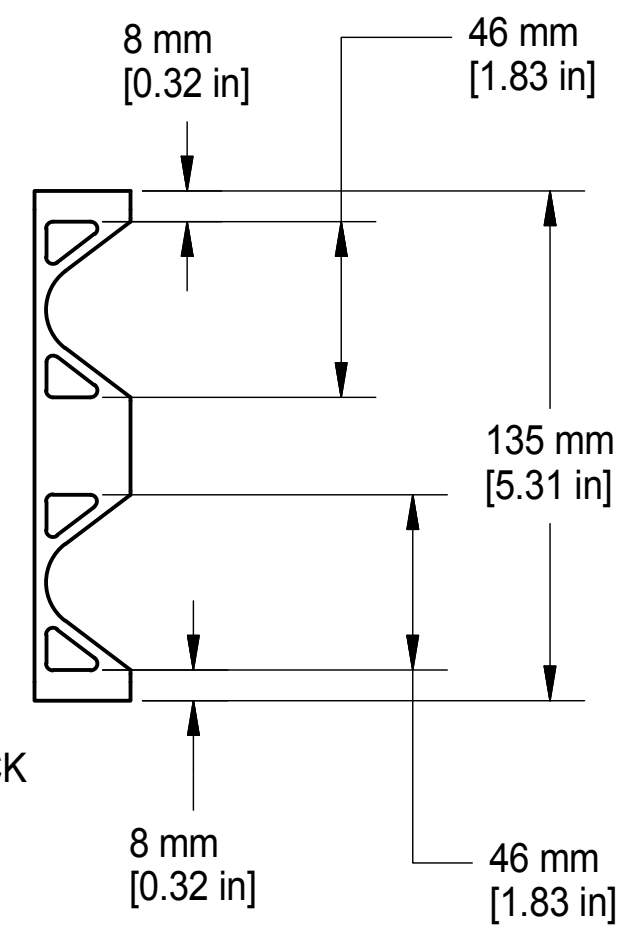
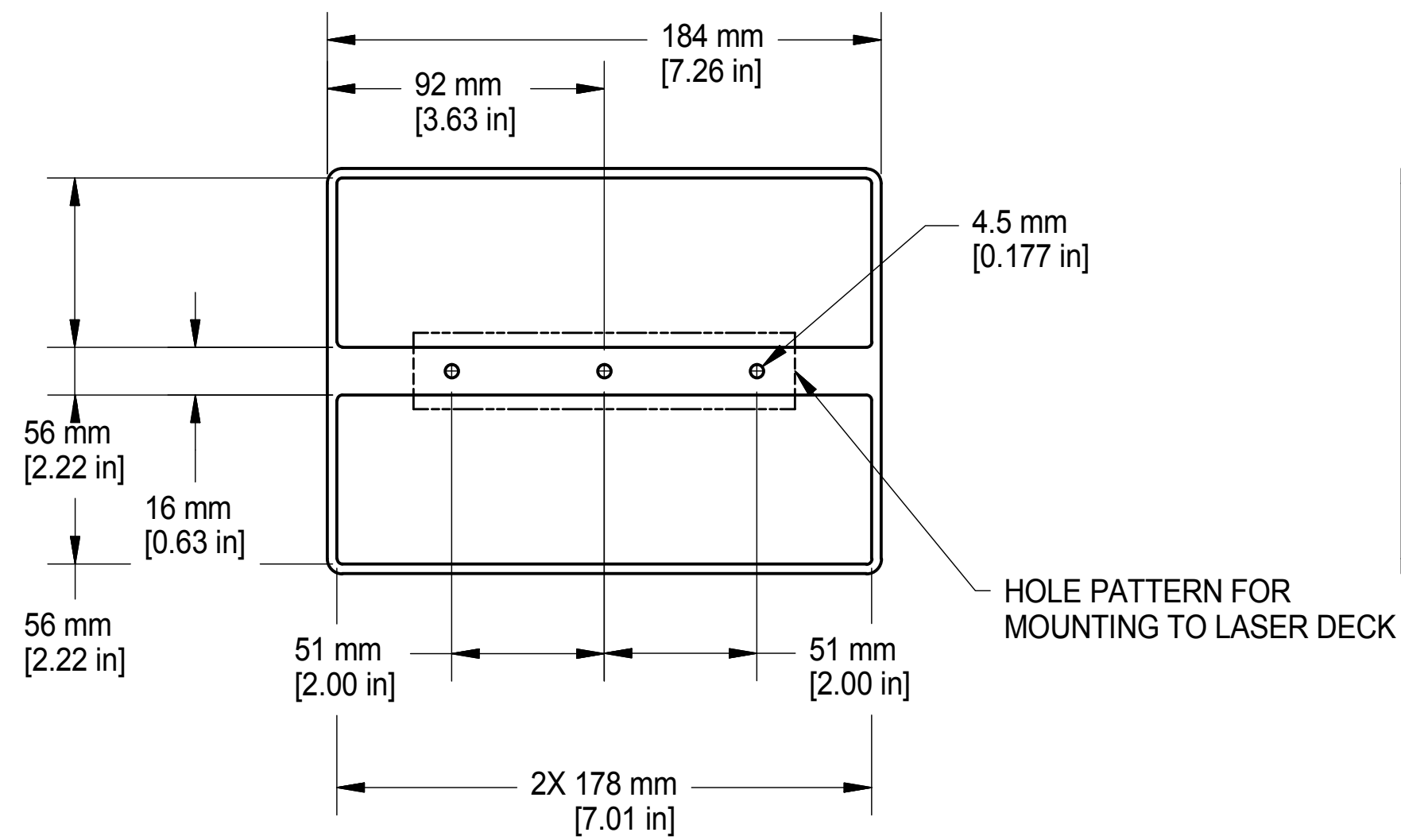
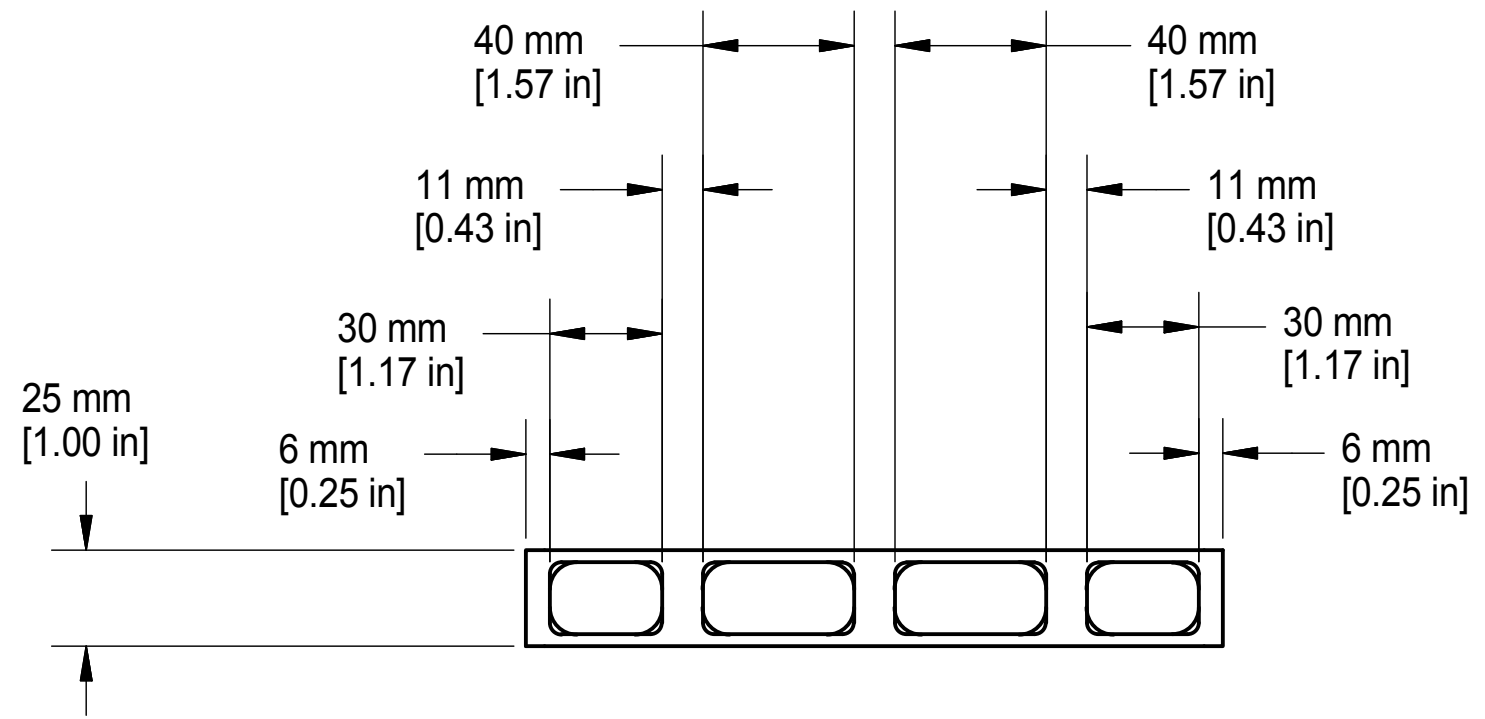
REVISIONS				
ZONE	LTR	DESCRIPTION	DATE	APPROVED
	4	PROTOTYPE UPDATES	5/22/2012	NKL



NOTES:

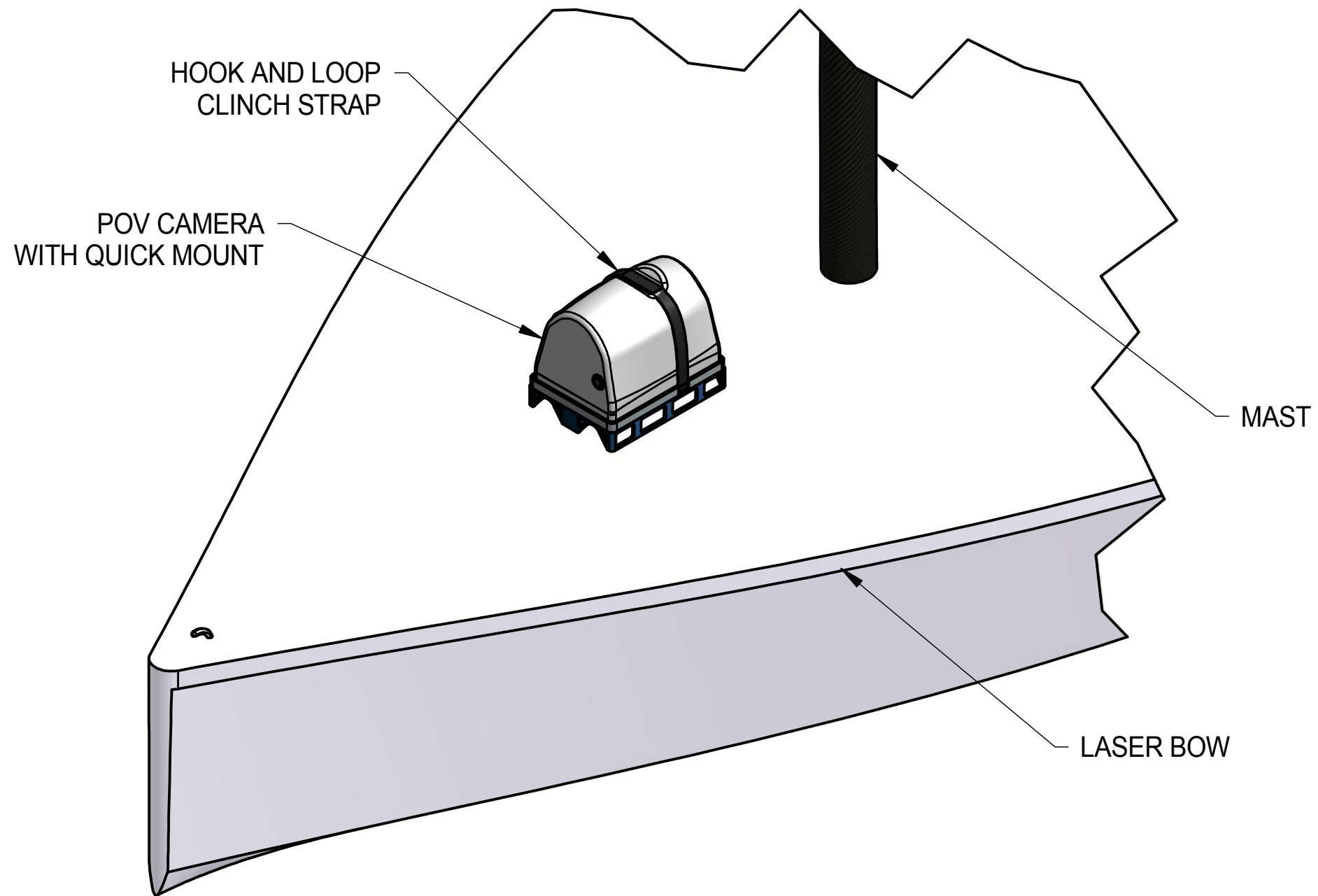
1. MATERIAL: BAR, SQUARE, 6061-T6 AL ALY PER ASTM B 221.
2. FINISH: ANODIZE COATING, WHITE PAINT.
3. AFFIX TO LASER USING THREE SCREWS THROUGH HOLES INTO THE DECK ALONG CENTER LINE.
4. ESIMATED WEIGHT: 200g

DRAWN: 1/23/2012 N. LOWE		 7455 Race Road, Hanover, MD 21076, USA, Phone: (410) 564-2600
CHECKED:		
APPROVED:		
<p>THE CONTENTS OF THIS DOCUMENT ARE PROPRIETARY TO BROADCAST SPORTS, INC. AND SHALL NOT BE DISCLOSED, DISSEMINATED, COPIED, OR USED EXCEPT FOR PURPOSES EXPRESSLY AUTHORIZED IN WRITING BY BROADCAST SPORTS, INC.</p>		
SIZE B	DRAWING NUMBER 13326-9-002	REV 4
SCALE 1:1	THIRD ANGLE PROJECTION 	SHEET 1 OF 3



DIMENSIONS
 SCALE 1 : 2

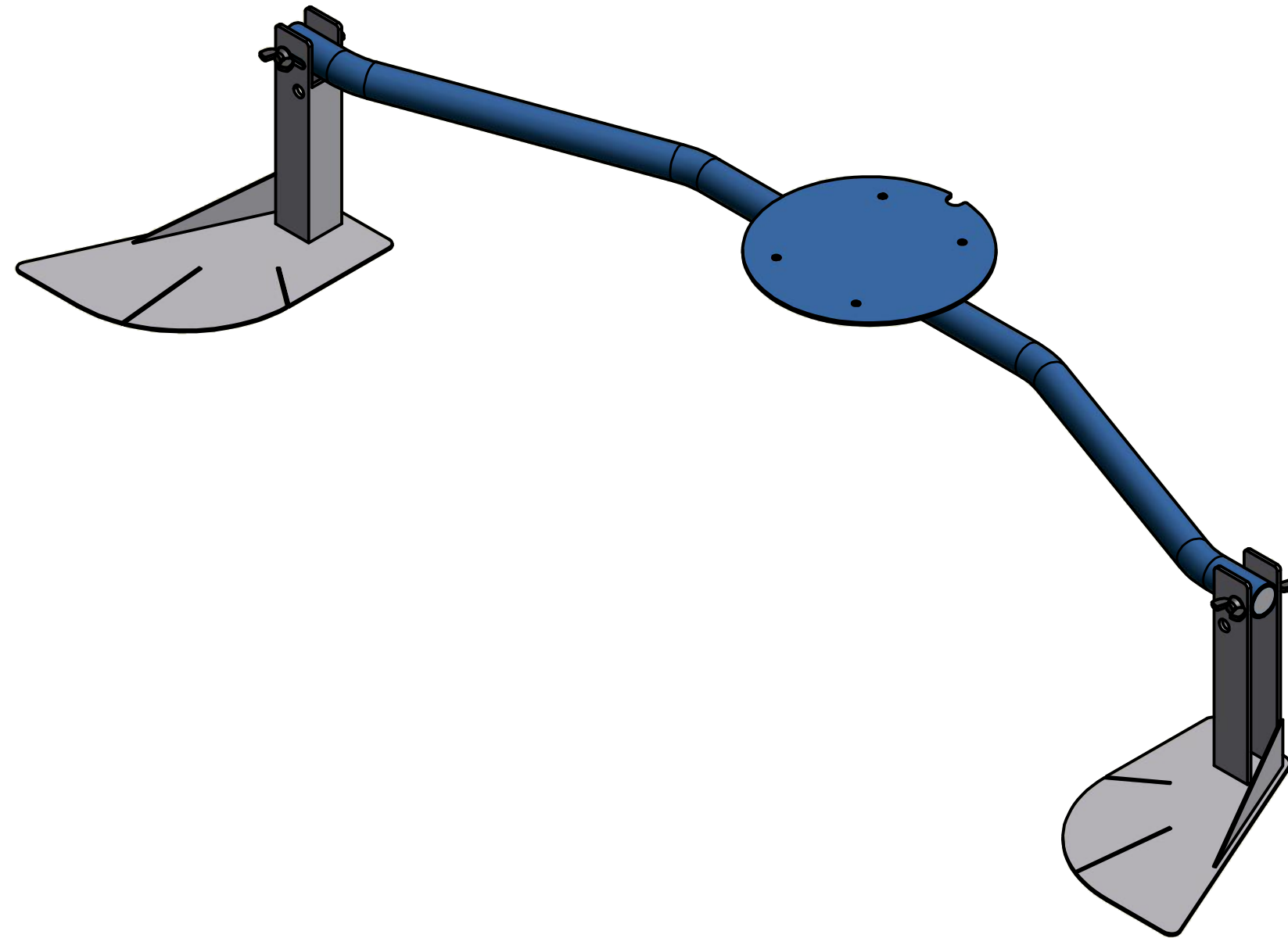
THE CONTENTS OF THIS DOCUMENT ARE PROPRIETARY TO BROADCAST SPORTS, INC. AND SHALL NOT BE DISCLOSED, DISSEMINATED, COPIED, OR USED EXCEPT FOR PURPOSES EXPRESSLY AUTHORIZED IN WRITING BY BROADCAST SPORTS, INC.	SIZE	DRAWING NUMBER	REV
	B	13326-9-002	4
SCALE 1 : 1		SHEET 2 OF 3	



INSTALLATION
SCALE 1 : 6



<small>THE CONTENTS OF THIS DOCUMENT ARE PROPRIETARY TO BROADCAST SPORTS, INC. AND SHALL NOT BE DISCLOSED, DISSEMINATED, COPIED, OR USED EXCEPT FOR PURPOSES EXPRESSLY AUTHORIZED IN WRITING BY BROADCAST SPORTS, INC.</small>	SIZE	DRAWING NUMBER	REV
	B	13326-9-002	4
SCALE 1 : 1	SHEET 3 OF 3		

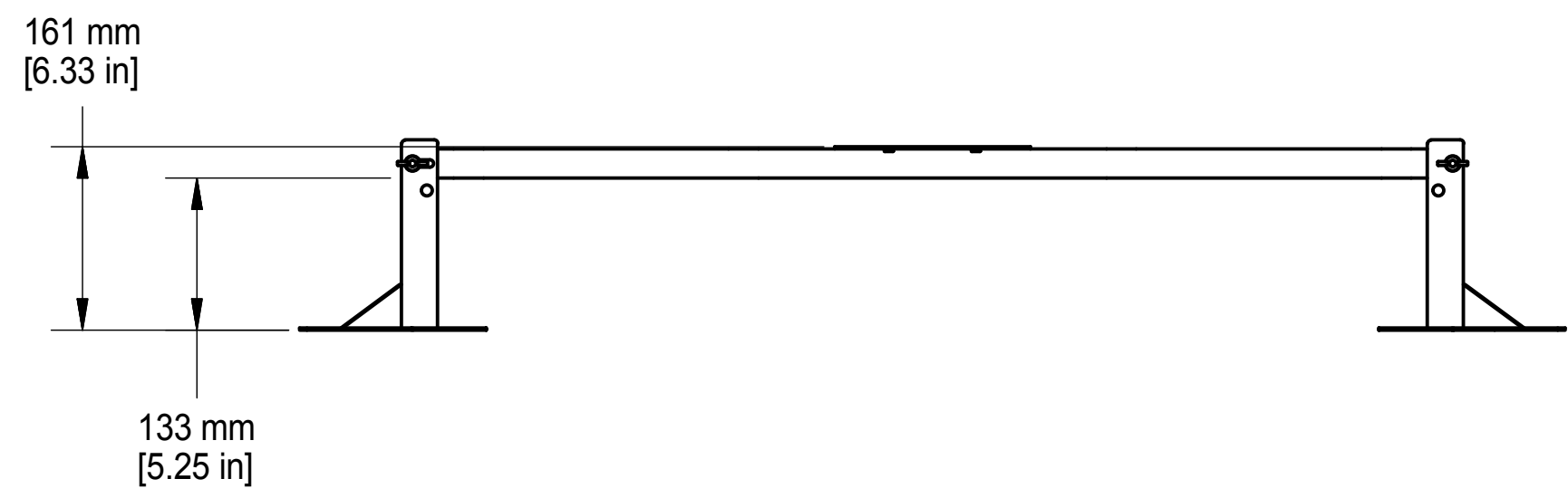
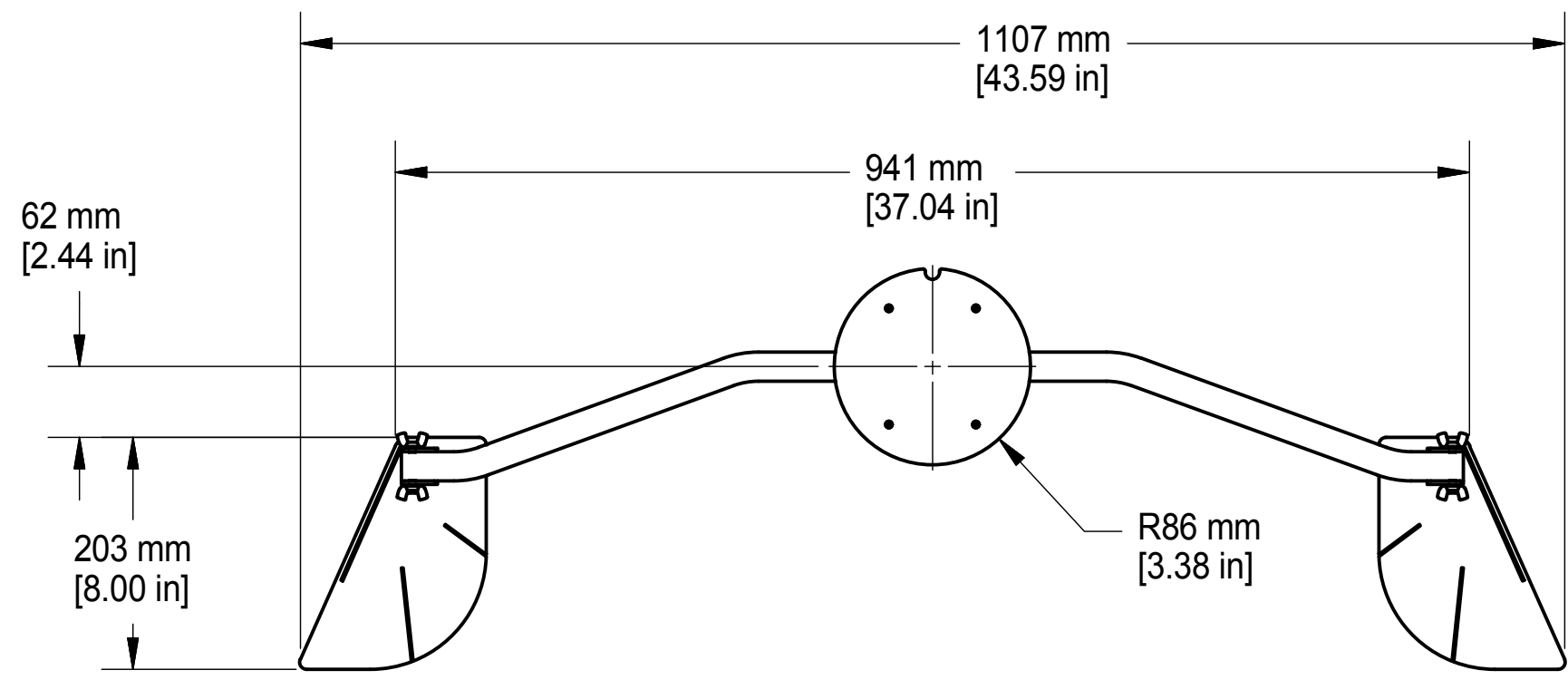
REVISIONS				
ZONE	LTR	DESCRIPTION	DATE	APPROVED
	4	PROTOTYPE	5/22/2012	NKL



NOTES:

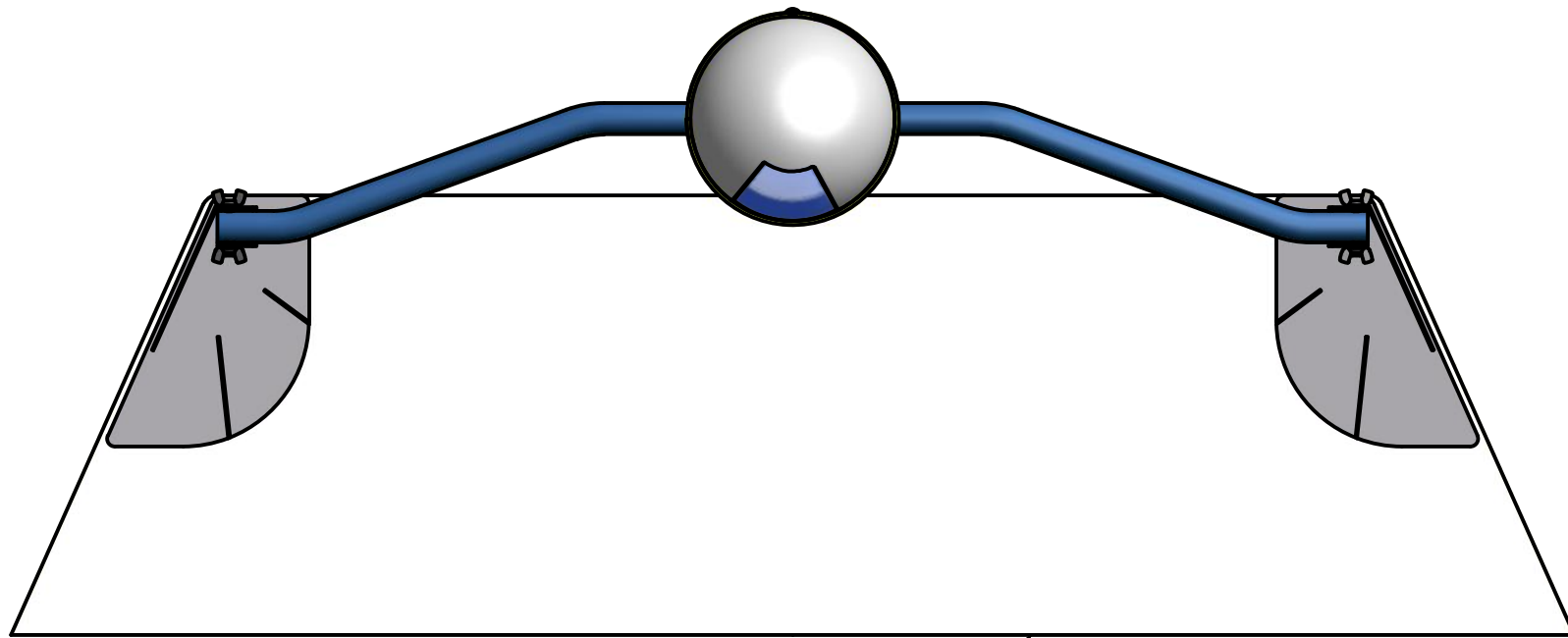
1. MATERIAL: SHEET, .080 THICK, 6061-T6 AL ALY PER ASTM B209; SHEET, .062 THICK, 6061-T6 AL ALY PER ASTM B209; U-CHANNEL, 1.25 X 1.25 X .125 THK, 6063-T5 AL ALY PER ASTM B221; TUBING, SEAMLESS, 1.00 OD. .065 WALL, 6061-T6 AL ALY PER ASTM B241.
2. FINISH: ANODIZE COATING, WHITE PAINT.
4. DELETED
5. ESTIMATED WEIGHT: 920g

DRAWN: 1/19/2012 N. LOWE		 7455 Race Road, Hanover, MD 21076, USA, Phone: (410) 564-2600
CHECKED:		
APPROVED:		FINN PTRZ CAMERA MOUNT
<small>THE CONTENTS OF THIS DOCUMENT ARE PROPRIETARY TO BROADCAST SPORTS, INC. AND SHALL NOT BE DISCLOSED, DISSEMINATED, COPIED, OR USED EXCEPT FOR PURPOSES EXPRESSLY AUTHORIZED IN WRITING BY BROADCAST SPORTS, INC.</small>		
SIZE B	DRAWING NUMBER 13327-9-008	REV 4
SCALE 1:4	THIRD ANGLE PROJECTION 	SHEET 1 OF 3



DIMENSIONS
SCALE 1 : 6

<small>THE CONTENTS OF THIS DOCUMENT ARE PROPRIETARY TO BROADCAST SPORTS, INC. AND SHALL NOT BE DISCLOSED, DISSEMINATED, COPIED, OR USED EXCEPT FOR PURPOSES EXPRESSLY AUTHORIZED IN WRITING BY BROADCAST SPORTS, INC.</small>	SIZE	DRAWING NUMBER	REV
	B	13327-9-008	4
	SCALE 1 : 4	SHEET 2 OF 3	

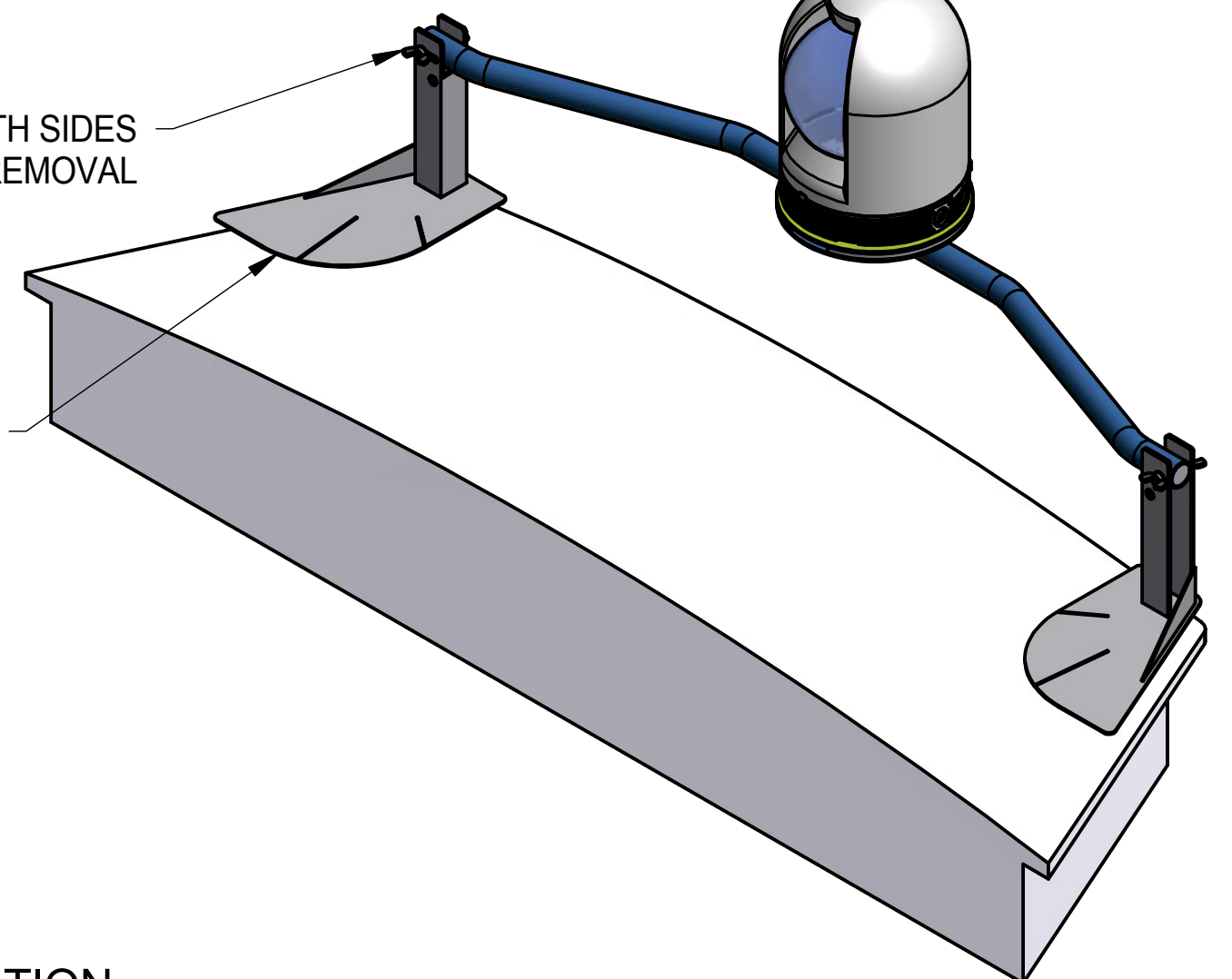


FINN TRANSOM

WING NUTS BOTH SIDES
FOR EASY REMOVAL

ATTACH FEET TO DECK
USING 3M DUAL LOCK

PTRZ CAMERA
WITH QUICK MOUNT



INSTALLATION
SCALE 1 : 6

<small>THE CONTENTS OF THIS DOCUMENT ARE PROPRIETARY TO BROADCAST SPORTS, INC. AND SHALL NOT BE DISCLOSED, DISSEMINATED, COPIED, OR USED EXCEPT FOR PURPOSES EXPRESSLY AUTHORIZED IN WRITING BY BROADCAST SPORTS, INC.</small>	SIZE	DRAWING NUMBER	REV
	B	13327-9-008	4
SCALE 1 : 4	SHEET 3 OF 3		

Elliott 6m

Forward Position



Aft position



Star

